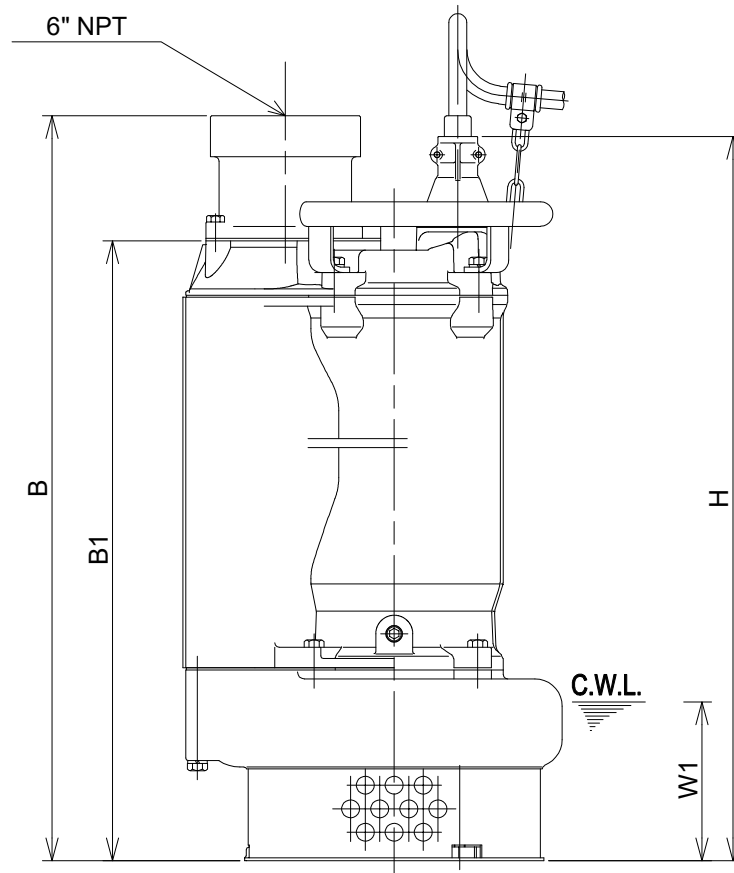
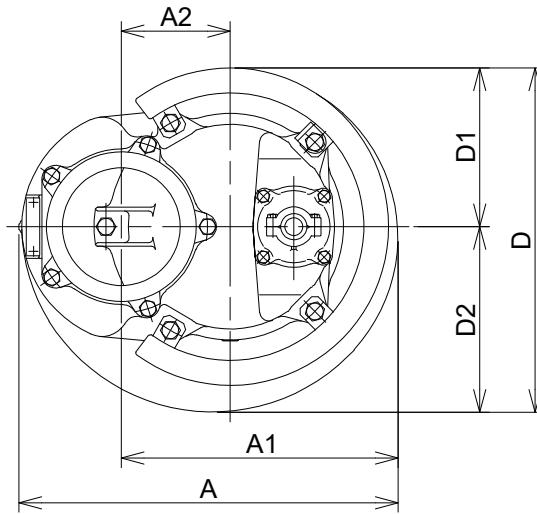


KRS67.5 -61
KRS611 -61



C.W.L. :Continuous running Water Level

DIMENSIONS:USCS (Inch)

Model	HP	NOM. SIZE	Pump & Motor									C.W.L. W1	*Wt. (lbs.)
			A	A1	A2	B	B1	D	D1	D2	H		
KRS67.5 -61	10	6"	16 7/16	12	4 3/4	31 3/4	26 7/8	14 15/16	6 7/8	8 1/16	31 7/16	6 7/8	311
KRS611 -61	15	6"	16 7/16	12	4 3/4	32	27 3/16	14 15/16	6 7/8	8 1/16	32 1/2	6 7/8	341

DIMENSIONS:METRIC (mm)

*Excluding Cable

Model	kW	NOM. SIZE	Pump & Motor									C.W.L. W1	*Wt. (kg)
			A	A1	A2	B	B1	D	D1	D2	H		
KRS67.5 -61	7.5	150	418	305	120	806	683	379	175	204	798	175	141
KRS611 -61	11	150	418	305	120	813	690	379	175	204	825	175	155