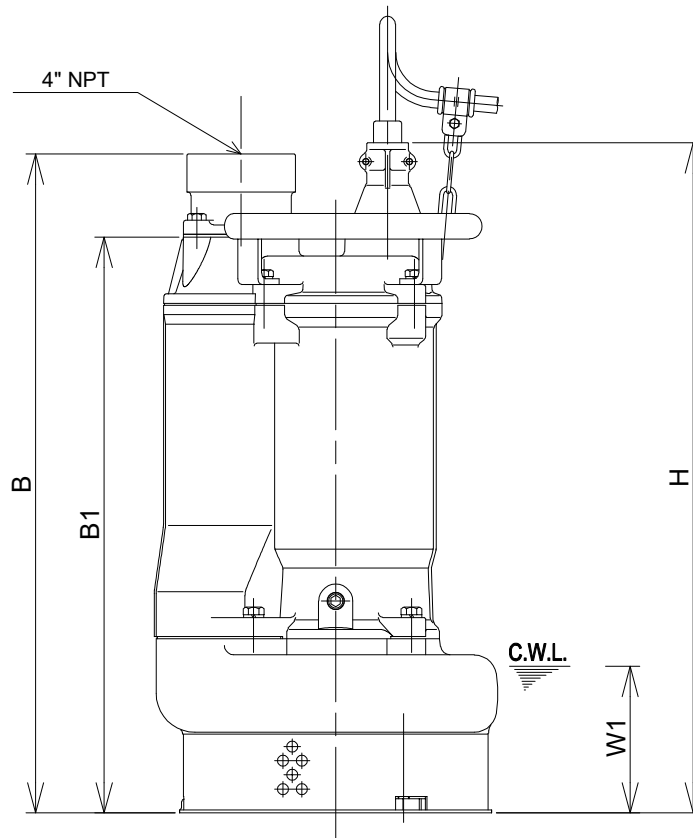
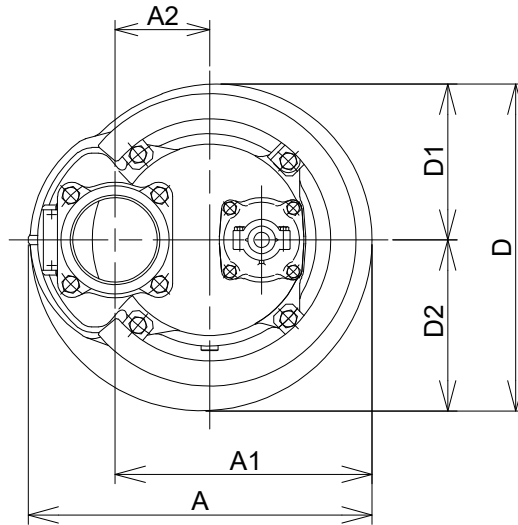


KRS45.5 -61



C.W.L. :Continuous running Water Level

DIMENSIONS:USCS (Inch)

Model	HP	NOM. SIZE	Pump & Motor									C.W.L.	*Wt.
			A	A1	A2	B	B1	D	D1	D2	H	W1	(lbs.)
KRS45.5 -61	7.5	4"	13 13/16	10 3/16	3 15/16	27 7/16	24	12 11/16	6 1/8	6 5/8	27 15/16	6 1/8	214

DIMENSIONS:METRIC (mm)

*Excluding Cable

Model	kW	NOM. SIZE	Pump & Motor									C.W.L.	*Wt.
			A	A1	A2	B	B1	D	D1	D2	H	W1	(kg)
KRS45.5 -61	5.5	100	351	259	100	697	609	323	155	168	709	155	97