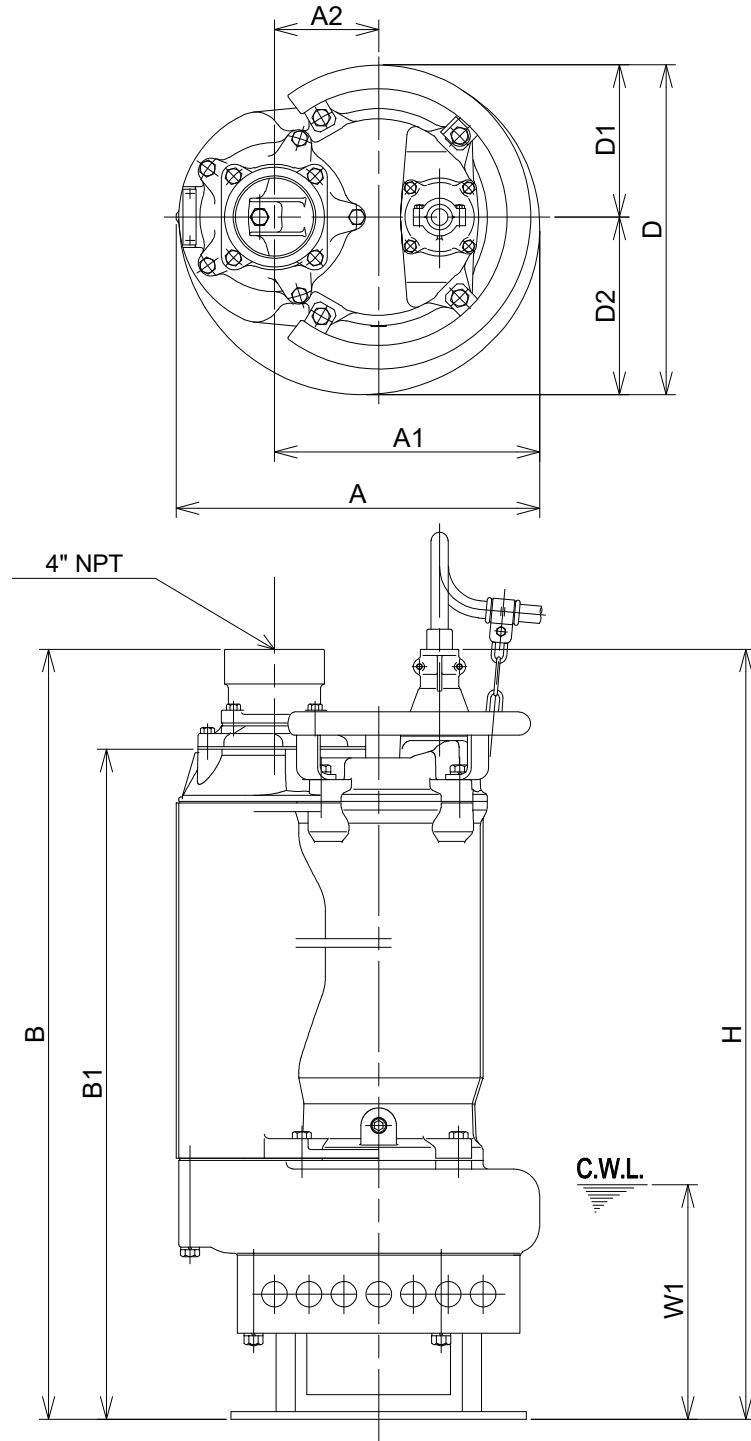


**KRD47.5 -61**



C.W.L. :Continuous running Water Level

**DIMENSIONS:USCS (Inch)**

Model	HP	NOM. SIZE	Pump & Motor									C.W.L.	*Wt.
			A	A1	A2	B	B1	D	D1	D2	H	W1	(lbs.)
KRD47.5 -61	10	4"	16 7/16	12	4 3/4	33 13/16	30 3/8	14 15/16	6 7/8	8 1/16	34 7/8	10 5/8	339

**DIMENSIONS:METRIC (mm)**

\*Excluding Cable

Model	kW	NOM. SIZE	Pump & Motor									C.W.L.	*Wt.
			A	A1	A2	B	B1	D	D1	D2	H	W1	(kg)
KRD47.5 -61	7.5	100	418	305	120	859	771	379	175	204	886	270	154